

A170 Modular timer



■ ALC18

Application

The time switch, applicable to circuit with rated voltage 230V AC and rated current 16A, "opens" after a predetermined time from actuation.

Construction and Feature

- ◆ Suitable to control wide range lightings include incandescent lamp, halogen lamp and
 - ◆ fluorescent lamp
 - ◆ Simple time setting
 - ◆ With time delay
 - ◆ Extremely compact and modular size

Technical Data

- ◆ Rated voltage: 230V~
- ◆ Rated frequency: 50Hz
- ◆ Consumption: 1VA
- ◆ Contact capacity: 16A 250V AC (COS ϕ =1)
- ◆ Electrical endurance: 10⁵ cycles
- ◆ Mechanical endurance: 10⁷ cycles
- ◆ Ambient temperature: -20°C~+50°C
- ◆ Connection terminal: pillar terminal with clamp
- ◆ Installation:
 - ◇ On symmetrical DIN rail
 - ◇ Panel mounting



■ ALST8

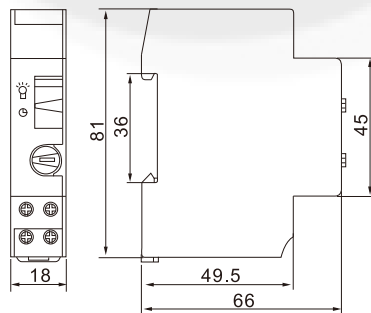
ALC18 time switch

- ◆ Type: electronic time delay
- ◆ Time setting range: 20minutes
- ◆ Min. setting interval: 5minutes
- ◆ Slide switch: manual/automatic
- ◆ Controlled lighting load:
 - ◇ Incandescent lamp: 2300W
 - ◇ Halogen lamp: 2300W
 - ◇ Fluorescent lamp load with electronic ballast: 800W
- ◆ Switching: immediate reset

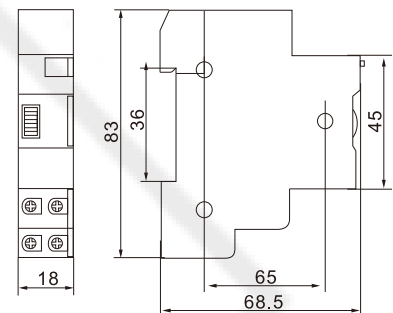
ALST8 time switch

- ◆ Type: electromechanical type with time delay
- ◆ Time setting range: 7 minutes
- ◆ Min. setting interval: 30 seconds
- ◆ Toggle switch: manual/automatic
- ◆ Controlled lighting load:
 - ◇ Incandescent lamp: 2300W
 - ◇ Halogen lamp: 2300W
 - ◆ Fluorescent lamp:
 - ◇ Uncompensated 2300w
 - ◇ Compensated in series: 2300w
 - ◇ Compensated in parallel: 1300w
- ◆ Switching: reset after 30s

Overall & installation dimensions



ALC18



ALST8

A170 Modular timer



■ FDT16-161N/Y

Construction and Feature

- ◆ Available with or without power reserve
- ◆ 24 hour dial with 15 min segments
- ◆ 7 days dial with 2 hours segments
- ◆ Permanent ON/OFF switch
- ◆ Switching status indication

Application

Switches " ON" and " OFF" automatically following a pre-determined program. The product is suitable in use for domestic, commercial and industrial installations.

Technical Data

- ◆ Rated voltage: 230V AC
- ◆ Rated frequency: 50/60Hz
- ◆ Consumption: 2.5VA
- ◆ Contact: 1NO
- ◆ Contact capacity:
 - ◇ 16A/250V AC (COS ϕ =1)
 - ◇ 4A/250V AC (COS ϕ =0.6)
- ◆ Electrical endurance: 10 cycles
- ◆ Mechanical endurance: 10 cycles
- ◆ 24 hours or 7 days program
- ◆ 96 segments
- ◆ min. programmable interval: 15 minutes
- ◆ ambient temperature: -10°C~+50°C
- ◆ Connection terminal: pillar terminal with clamp
- ◆ Connection capacity: rigid conductor 6mm²
- ◆ Installation
 - ◇ On symmetrical DIN rail
 - ◇ Panel mounting

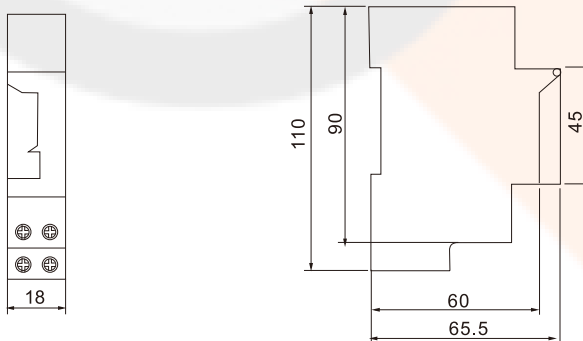
FDT16-161N Synchronous time switch

- ◆ Drive: synchronous motor
- ◆ Frequency: 50/60Hz

FDT16-161Y Quartz time switch with power reserve

- ◆ Drive: quartz-controlled motor
- ◆ Frequency: 50/60Hz
- ◆ Accuracy: within $\pm 1s$ per day at 20°C
- ◆ Reserve: 70 hours

Overall & installation dimensions



A170 Modular timer



■ FDT16-16D

Construction and Feature

- ◆ Compact modular size
- ◆ LCD Display
- ◆ Equipped with back-up battery
- ◆ Permanent switch ON/OFF

Application

The product is applicable to circuit with rated current 16A, rated voltage 250V and rated frequency 50/60Hz. It provides independent electrical control to switch on-off the circuit at programmed times and days of the week.

Technical Data

- | | |
|---|--|
| <ul style="list-style-type: none"> ◆ Type: electronic with LCD display ◆ Rated voltage: 230V AC ◆ Rated frequency: 50/60Hz ◆ Contact: 1NO+1NC ◆ Consumption: maximum 4VA ◆ contact capacity: <ul style="list-style-type: none"> ◇ 16A/250V AC (COSφ=1) ◇ 2.5A/250V AC (COSφ=0.6) ◆ incandescent lamp: 1000W ◆ electrical endurance: 10⁵ cycles ◆ Mechanical endurance: 10⁷ cycles | <ul style="list-style-type: none"> ◆ Time basis: quartz ◆ 24 hours+ week program ◆ Working precision: ≤2 sec/day (25°C) ◆ Min. programmable interval: 1minute ◆ Power reserve: min. 15 days ◆ Ambient temperature: -10~40°C ◆ Humidity: 35-85% RH ◆ Connection terminal: pillar terminal with clamp ◆ Connection capacity: rigid conductor 6mm² ◆ Installation <ul style="list-style-type: none"> ◇ On symmetrical DIN rail ◇ Panel mounting |
|---|--|

Overall & installation dimensions

